



Load Curves

| | | | | | | | | | | | |
|-----|--|---|--------|------|------|------|------|------|-----|-----|----|
| 25m | | → | 10,8 | 13 | 15 | 17 | 19 | 21 | 23 | 25 | m |
| | | → | 2000 | 1640 | 1415 | 1230 | 1085 | 970 | 870 | 750 | Kg |
| 23m | | → | 11,69 | 13 | 15 | 17 | 19 | 21 | 23 | | m |
| | | → | 2000 | 1770 | 1600 | 1310 | 1160 | 1035 | 900 | | Kg |
| 12m | | | 2000Kg | | | | | | | | |

Inclined Jib **750Kg - Max.**



Speed of Mechanisms

| | | | | | | |
|-------------------|--|--|------------|------|----------------|------|
| HOISTING | | m/min. | | 4,5 | 18 | 36 |
| | | kg | | 2000 | 2000 | 1000 |
| | | CV-PS hp | | 2,5 | 10 | 10 |
| | | kW | | 1,83 | 7,35 | 5,5 |
| | | | | | | |
| | | m/min. | CV-PS hp | | kW | |
| TROLLEYING | | 30 | 2 | | 1,5 | |
| SLEWING | | 0,2-1 tr/min - u/min rpm - g/min | 2,5 kgm | | 2.5 | |
| MAINS ELECTRICITY | | ↻ 400V (+6%-10%) @ 50Hz | | | GENERATOR | |
| KVA | | 16KVA | | | Contact Mantis | |

Subject to modification



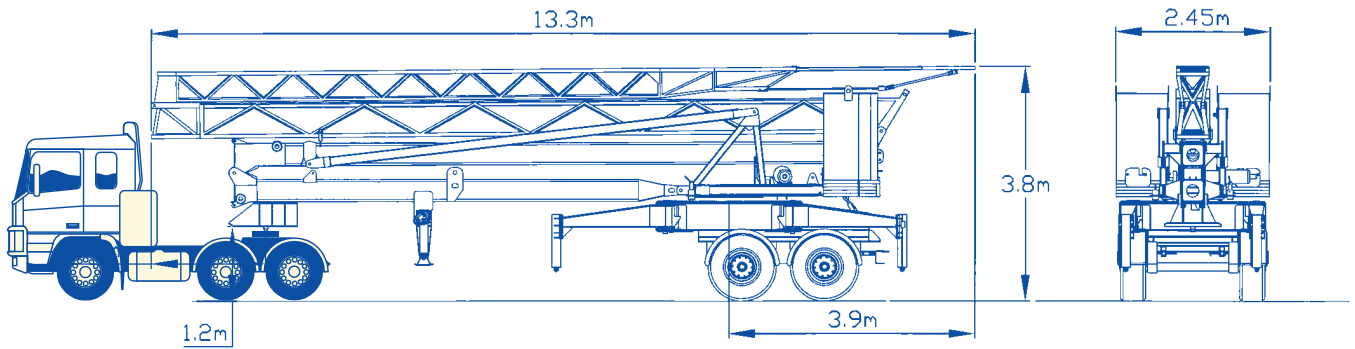
Weights

Gross Weight

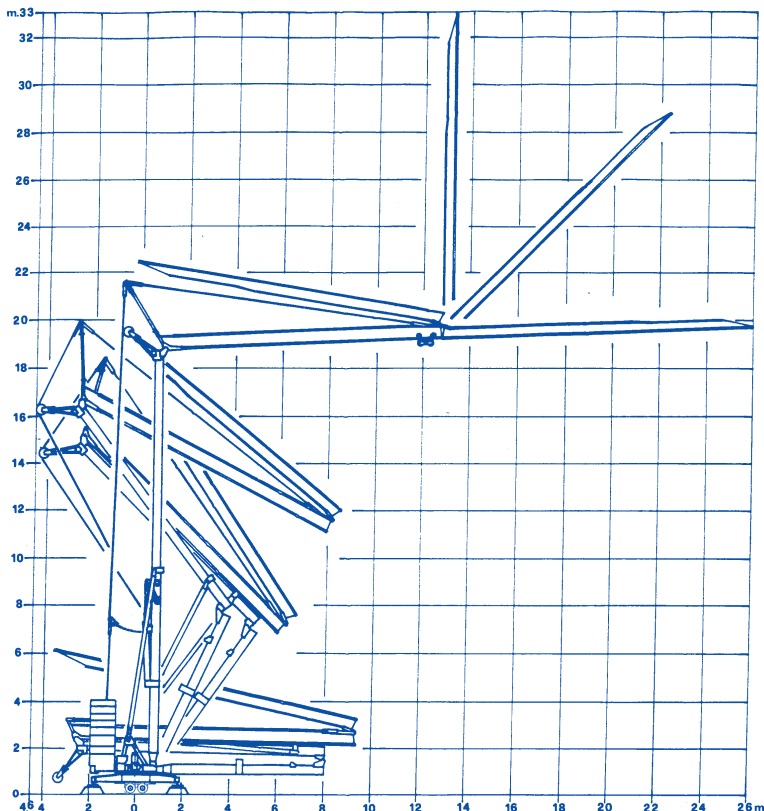
20,260 Kg



Mode of Transport



Erection Schematic



Head Office

Killygordon
Co. Donegal
Ireland

Tel: +353 74 9149981

Fax: +353 74 9149932

Email: info@mantiscranes.ie

www.mantiscranes.ie

UK Office

Low Willington
Crook

Co. Durham DL15 0DE

Lo Call: 0845 3098158

Fax: 01388 748 962

E-Mail: martin@mantiscranes.ie

Web: www.mantiscranes.ie

This commercial document is not legally binding.
Changes may be made to the content without any notification.